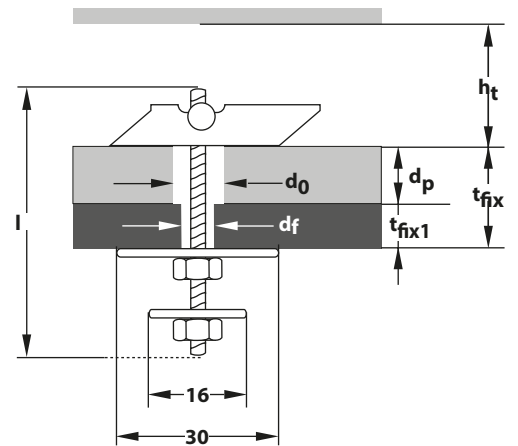



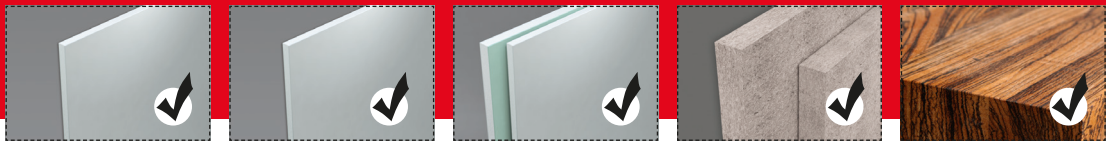


Features

- Extremely high holding values for cavities
- Ideal for wall installation
- Universal fixing bracket with hexagonal nut
- For bridging large wall thicknesses
- For single and double layer boards
- Tilting mechanism automatically adjusts to the optimum angle for the load capacity when installed on the wall



Pack	Item No.	Type	Content Plug	Spanner size	Washer	Plug length	Thread	Drill \emptyset	Min. Cavity depth	Effective anchorage depth	Fixture Thickness	Approval
	Spagat Pro		per pack	SW	small / large mm	l	metric	d_0 / d_f \emptyset mm	h_t \geq mm	h_{ef} mm	t_{fix} $(d_p + t_{fix1})$ \leq mm	ETA
	023 100 071	M8	20x	13	16 / 30	100	M8	20 / 10	75	-	60	-
	023 100 171	M8	10x	13	16 / 30	100	M8	20 / 10	75	-	60	-



Spagat Pro	Gypsum plasterboard 9.5 mm	Gypsum plasterboard 12.5 mm	Gypsum plasterboard 2x12.5 mm	Gypsum fibreboard 12.5 mm	Wood chip / plywood board ≥ 10 mm
M8	20 kg	40 kg	70 kg	60 kg	120 kg

- For fixings in gypsum plasterboards, the holding value specifications of the board manufacturer must always be observed
- Approved plugs must be used for fixings where safety is of importance (see also www.tox.de/safety+loads)

Description & Area of Application

- Galvanised metal cavity toggle with one tilting wing, threaded rod, one large and one small metal washer and two hexagonal nuts (SW13)
- For wall and ceiling installations
- For gypsum plasterboard, gypsum fibreboard and chipboard as well as hollow cavity blocks and prestressed concrete false ceiling panels



Processing & Installation

- Observe minimum cavity depth, board thickness and drill \varnothing
- Observe vertical installation position for wall installation
- Pre-positioned installation

